

# Main switch 4P, mounting, padlock



Powering Business Worldwide™

**Part no.** DMM-125/4/I5/P-G  
**Article no.** 172853  
**Catalog No.** DMM-125/4/I5/P-G

## Delivery programme

Product range  
 Basic function

Part group reference  
 Protection type  
 Emergency switching OFF/ emergency STOP

Design

Locking facility

Contacts

Main circuits  
 Poles [M]



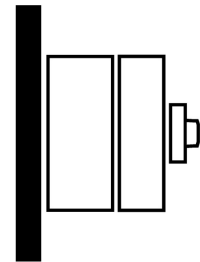
Contact sequence

Rated uninterrupted current

$I_u$

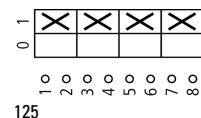
A

Switch-disconnectors Dumeco  
 Main switches  
 Maintenance switches  
 Manual override switches  
 DMM  
 IP20  
 without emergency switching off/  
 emergency stop function  
 in CI-K5 enclosure  
 with grey knob  
 main switch surface mounting



1 padlock,  $\varnothing$  5 mm  
 auxiliary contact fitted by user

4



## General

Standards

Certifications

Ambient temperature

Operation

Storage

Overvoltage category/pollution degree

Rated impulse withstand voltage

Rated insulation voltage

Mounting position

Protection against direct contact when actuated from front (EN 50274)

		IEC/EN 60947, VDE 0660, IEC/EN 60204, CSA Switch-disconnector according to IEC/EN 60947-3
		CE, RoHs, KEMA, GOST-R, Lloyds
	°C	
$\theta$	°C	-25 - +55
$\theta$	°C	-30 - +80
		III/3
$U_{imp}$	V AC	6000
$U_i$	V AC	1000
		As required
		Finger and back-of-hand proof

## Contacts

Mechanical variables

Main circuits  
 Poles

Electrical characteristics

Rated operational voltage

Rated uninterrupted current

Note on rated uninterrupted current  $I_u$

Short-circuit rating

fuse

Rated conditional short-circuit current

Breaking current

max. let-through energy

			4
$U_e$	V AC		690
$I_u$	A		125
			Rated uninterrupted current $I_u$ is specified for max. cross-section.
			125
$I_q$	kA		50
	kA		14.5
	kA <sup>2</sup> s		140

Rated short-time withstand current (1 s current)

Note on rated short-time withstand current  $I_{cw}$

### Switching capacity

Bemessungsausschaltvermögen  $\cos \varphi$  nach IEC 60947-3

400/415 V

500 V

690 V

Safe isolation to EN 61140

Current heat loss per contact at  $I_e$

Lifespan, mechanical

AC

AC-22A

Bemessungsbetriebsstrom Lastschalter

400 V 415 V

500 V

690 V

AC-23A

Bemessungsbetriebsstrom Lastschalter

400 V 415 V

500 V

690 V

Bemessungsbetriebsleistung AC-23A, 50 - 60 Hz

400 V 415 V

500 V

690 V

### Terminal capacities

Flexible with ferrules to DIN 46228

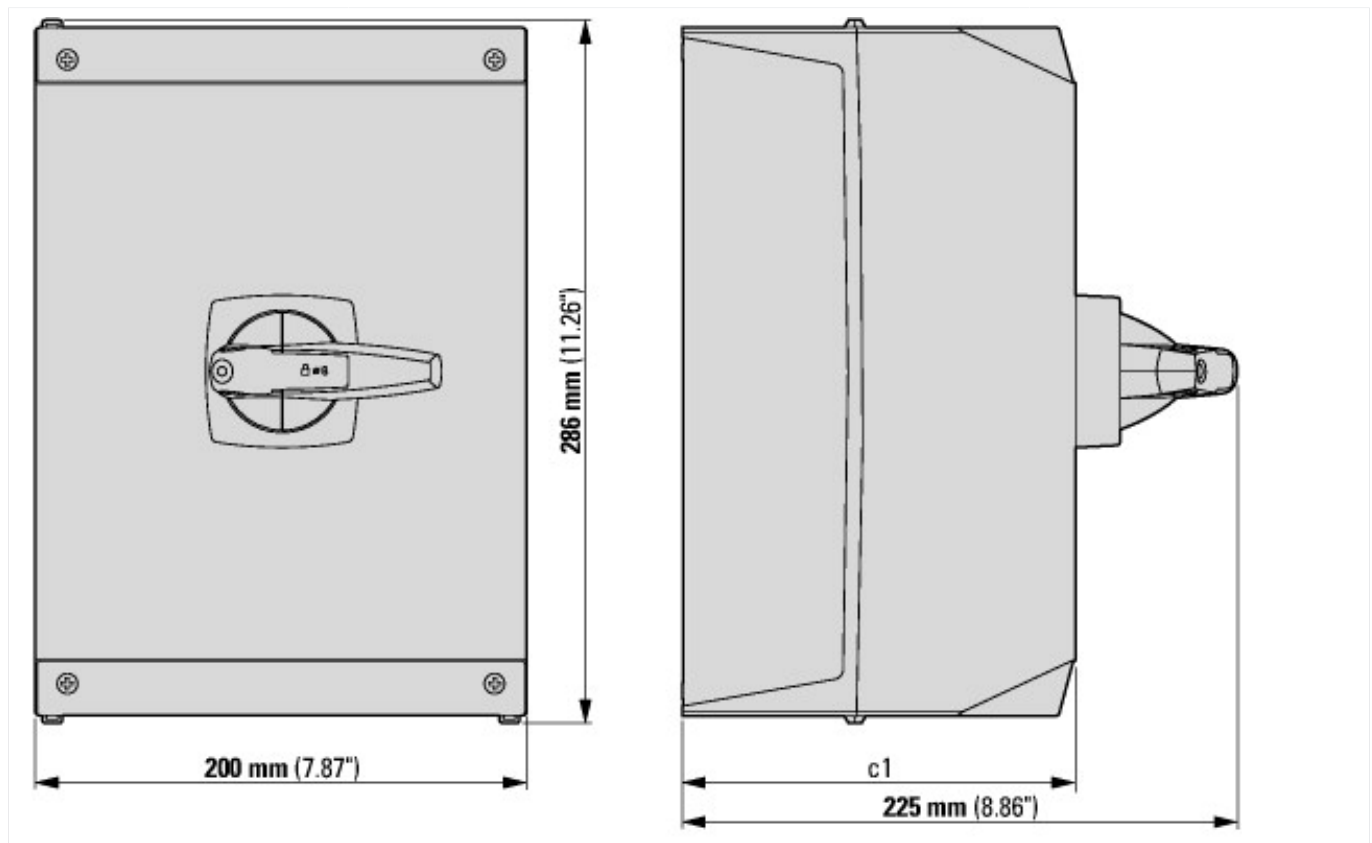
flexible

Max. tightening torque

$I_{cw}$	$A_{rms}$	2500
		Current for a time of 1 second
	A	
	A	480
	A	520
	A	352
	W	4.5
Operations		10000
$I_e$	A	125
$I_e$	A	125
$I_e$	A	125
$I_e$	A	60
$I_e$	A	65
$I_e$	A	44
P	kW	
P	kW	30
P	kW	45
P	kW	40

	$mm^2$	
	$mm^2$	6 - 70
	Nm	7

### Dimensions



### Additional product information (links)

<a href="http://de.ecat.moeller.net/flip-cat/?edition=HPLTEv1&amp;startpage=4.2">http://de.ecat.moeller.net/flip-cat/?edition=HPLTEv1&amp;startpage=4.2</a>
<a href="http://de.ecat.moeller.net/flip-cat/?edition=HPLTEv1&amp;startpage=4.4">http://de.ecat.moeller.net/flip-cat/?edition=HPLTEv1&amp;startpage=4.4</a>
<a href="http://de.ecat.moeller.net/flip-cat/?edition=HPLTEv1&amp;startpage=4.6">http://de.ecat.moeller.net/flip-cat/?edition=HPLTEv1&amp;startpage=4.6</a>
<a href="http://de.ecat.moeller.net/flip-cat/?edition=HPLTEv1&amp;startpage=4.8">http://de.ecat.moeller.net/flip-cat/?edition=HPLTEv1&amp;startpage=4.8</a>
<a href="http://de.ecat.moeller.net/flip-cat/?edition=HPLTEv1&amp;startpage=4.8">http://de.ecat.moeller.net/flip-cat/?edition=HPLTEv1&amp;startpage=4.8</a>